

**Funktion:**

LUNOR Gasfilter scheiden alle heute bekannten chemischen und bakteriologischen Kampfstoffe aus der Frischluft aus.

**Fonction:**

Le filtre à gaz élimine les particules chimiques et bactériologiques de gaz de combats, aujourd'hui connus.

**Function:**

The gasfilter give maximum Protection against all today known war gases.

**Ausschreibungstext:**

**Gasfilter GF-40**

Marke: Lunor, G. Kull AG  
CH - 8041 Zürich  
BZS: T 76-003  
Luftmenge: 40 m3/h  
Druckverlust: 370-420 Pa  
Gewicht: ca. 28 kg

**Spécification:**

**filtre à gaz type GF-40**

marque: Lunor, G. Kull AG  
CH - 8041 Zürich  
BZS: T 76-003  
débit d'air: 40 m3/h  
charge: 370-420 Pa  
poits: env. 28 kg

**Specification:**

**Gasfilter type GF-40**

mark: Lunor, G. Kull AG  
CH - 8041 Zürich  
BZS: T 76-003  
air rate: 40 m3/h  
press. drop: 370-420 Pa  
weight: approx. 28 kg

**bestehend aus:**

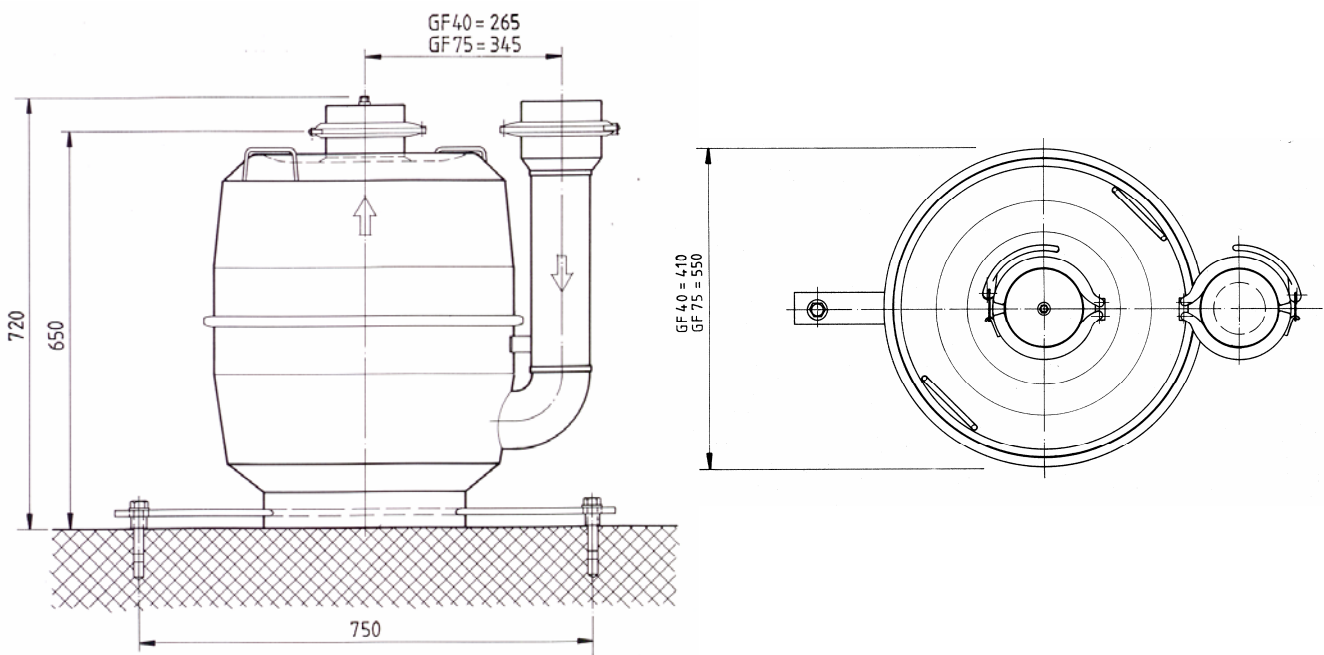
1. Filtergehäuse pulverbeschichtet
2. Schwebstoff-Filter
3. Aktivkohle-Filter
4. Lufteintrittsstutzen mit Verschluss
5. Luftaustrittsstutzen mit Verschluss
6. Druckausgleichsschraube
7. Bodenbefestigungsschiene
8. Stahldübel (bauseits)
9. Plastikhülle

**se composant de:**

1. boîtier du filtre
2. filtre à haute efficacité
3. filtre à charbon actif
4. entrée d'air avec fermeture rapide
5. sortie d'air avec fermeture rapide
6. vis d'équilibrage de pression
7. bare de fixation
8. tampons en acier (client)
9. housse en plastique

**consisting of:**

1. filter casing
2. high efficiency filter
3. activated carbon filter
4. air inlet with closing
5. air outlet with closing
6. pressure compensation screw
7. floor fastening bracket
8. steel dowels (not supplied)
9. plastic cover



### Function of gasfilter

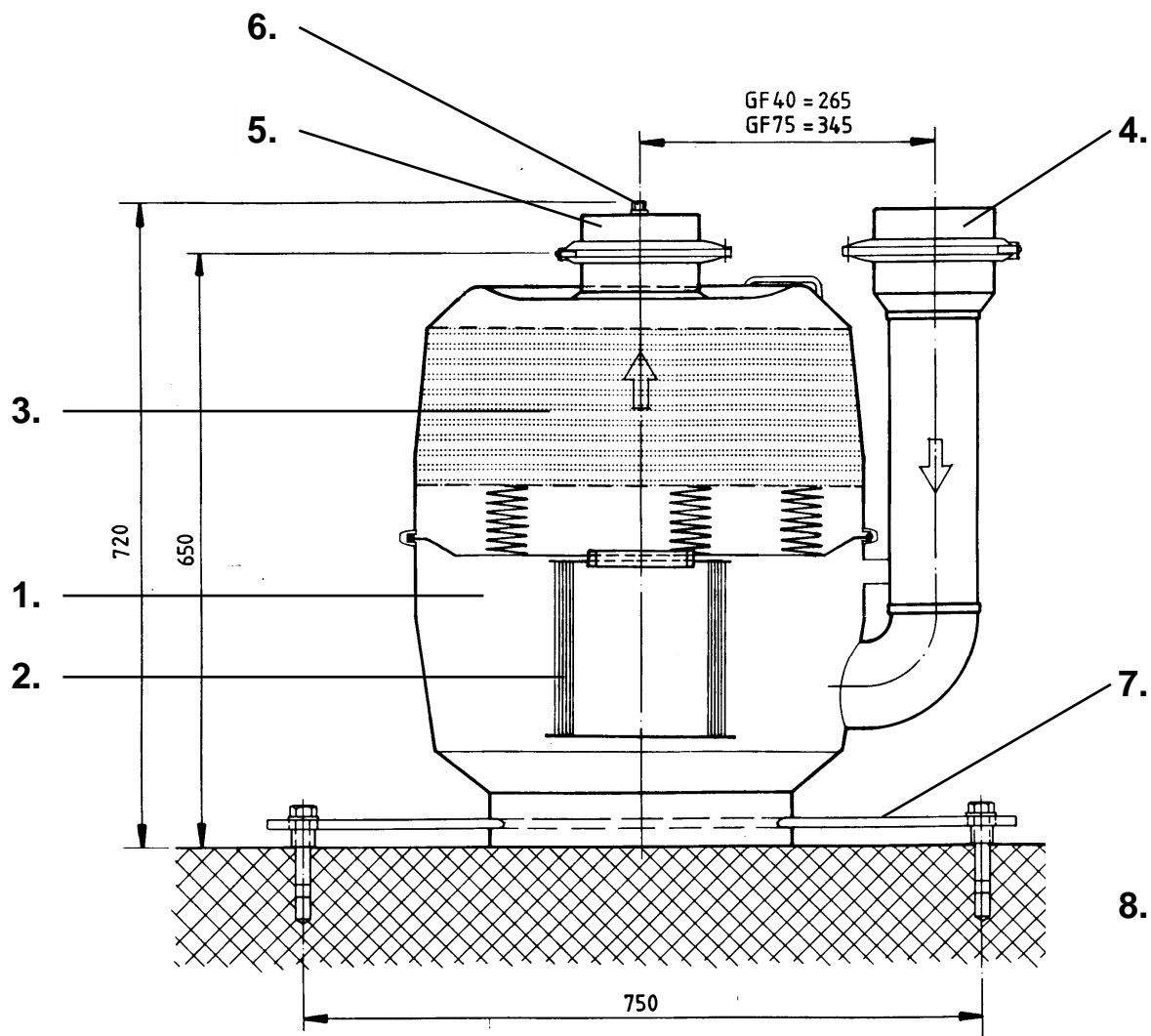
The polluted air first passes through the absolute filter which retains the finest impurities, solid and liquid as well as radioactive particles. Then the air flows through the activated carbon filter which can adsorb gases by physical and chemical action.

### GF-40

sectional drawing

consisting of:

1. filter casing
2. high efficiency filter
3. activated carbon filter
4. air inlet with closure
5. air outlet with closure
6. pressure compensation screw
7. floor fastening bracket
8. steel dowels
9. plastic cover



Proviso for technical change