

**Funktion:**

LUNOR Gasfilter scheiden alle heute bekannten chemischen und bakteriologischen Kampfstoffe aus der Frischluft aus.

**Fonction:**

Le filtre à gaz élimine les particules chimiques et bactériologiques de gaz de combats, aujourd'hui connus.

**Function:**

The gasfilter give maximum Protection against all today known war gases.

**Ausschreibungstext:**

Gasfilter GF-300  
 Marke: Lunor, G. Kull AG  
 CH - 8041 Zürich  
 BZS: T 85-019  
 Luftmenge: 300 m3/h  
 Druckverlust: 300-400 Pa  
 Gewicht: ca. 82 kg

**Spécification:**

filtre à gaz type GF-300  
 marque: Lunor, G. Kull AG  
 CH - 8041 Zürich  
 BZS: T 85-019  
 débit d'air: 300 m3/h  
 charge: 300-400 Pa  
 poids: env. 82 kg

**Specification:**

Gasfilter type GF-300  
 mark: Lunor, G. Kull AG  
 CH - 8041 Zürich  
 BZS: T 85-019  
 air rate: 300 m3/h  
 press. drop: 300-400 Pa  
 weight: approx. 82 kg

**bestehend aus:**

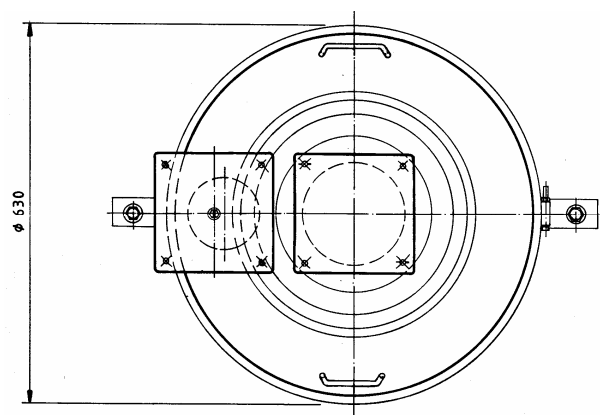
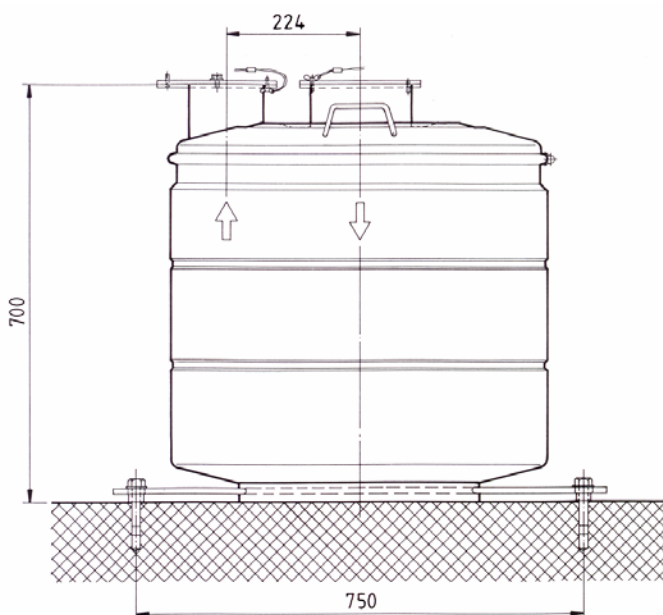
1. Filtergehäuse pulverbeschichtet
2. Schwebstoff-Filter
3. Aktivkohle-Filter
4. Lufteintrittsstutzen mit Verschluss
5. Luftaustrittsstutzen mit Verschluss
6. Druckausgleichsschraube
7. Bodenbefestigungsschiene
8. Stahldübel (bauseits)
9. Plastikhülle

**se composant de:**

1. boîtier du filtre
2. filtre à haute efficacité
3. filtre à charbon actif
4. entrée d'air avec fermeture rapide
5. sortie d'air avec fermeture rapide
6. vis d'équilibrage de pression
7. bare de fixation
8. tampons en acier (client)
9. housse en plastique

**consisting of:**

1. filter casing
2. high efficiency filter
3. activated carbon filter
4. air inlet with closing
5. air outlet with closing
6. pressure compensation screw
7. floor fastening bracket
8. steel dowels (not supplied)
9. plastic cover

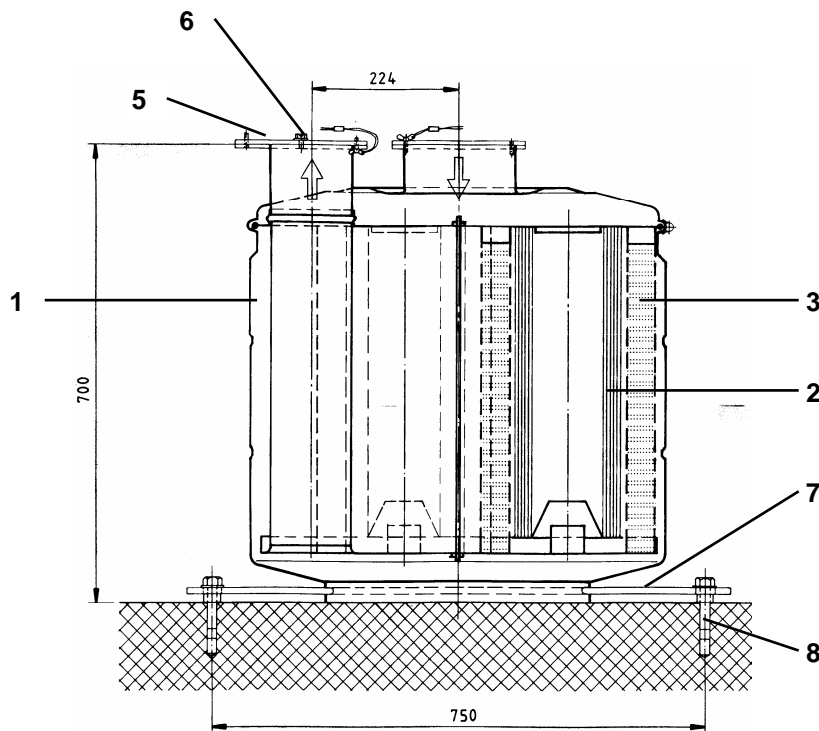


### Function of gasfilter

The polluted air first passes through the absolute filter which retains the finest impurities, solid and liquid as well as radioactive particles. Then the air flows through the activated carbon filter which can adsorb gases by physical and chemical action.

### GF-300

sectional drawing



#### consisting of:

1. filter casing
2. high efficiency filter
3. activated carbon filter
4. air inlet with closure
5. air outlet with closure
6. pressure compensation screw
7. floor fastening bracket
8. steel dowels
9. plastic cover

Proviso for technical change